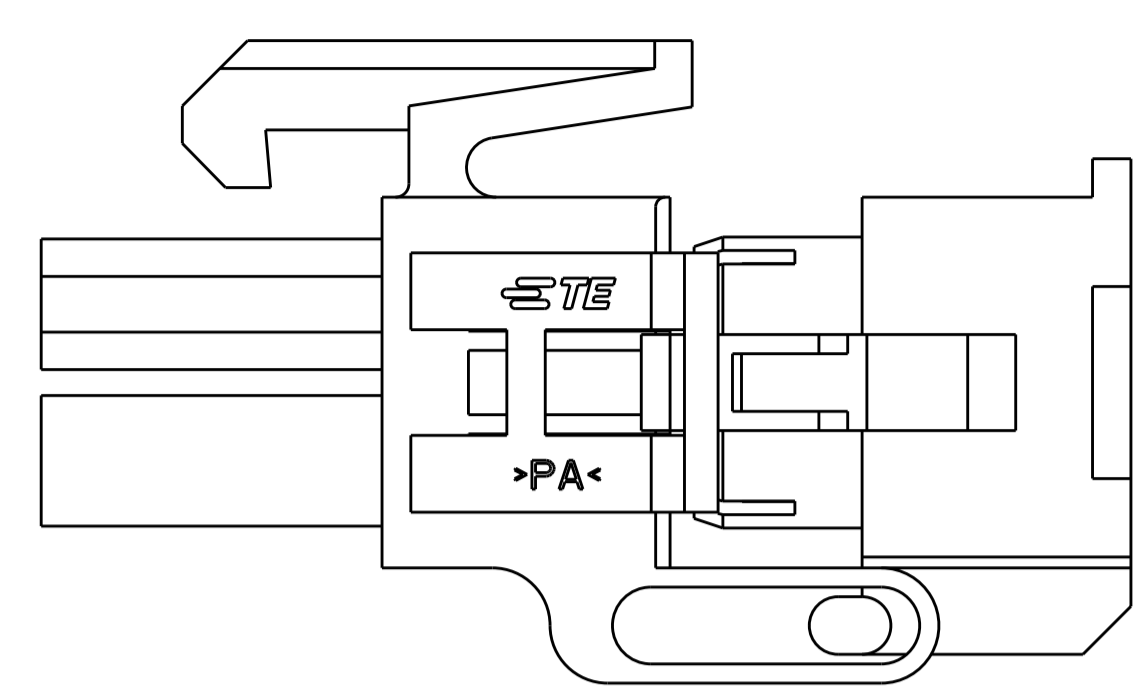
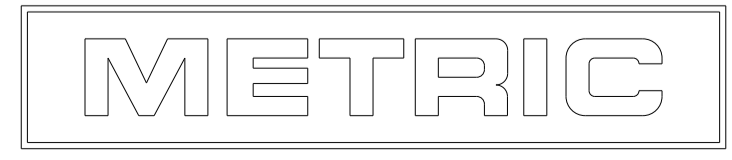
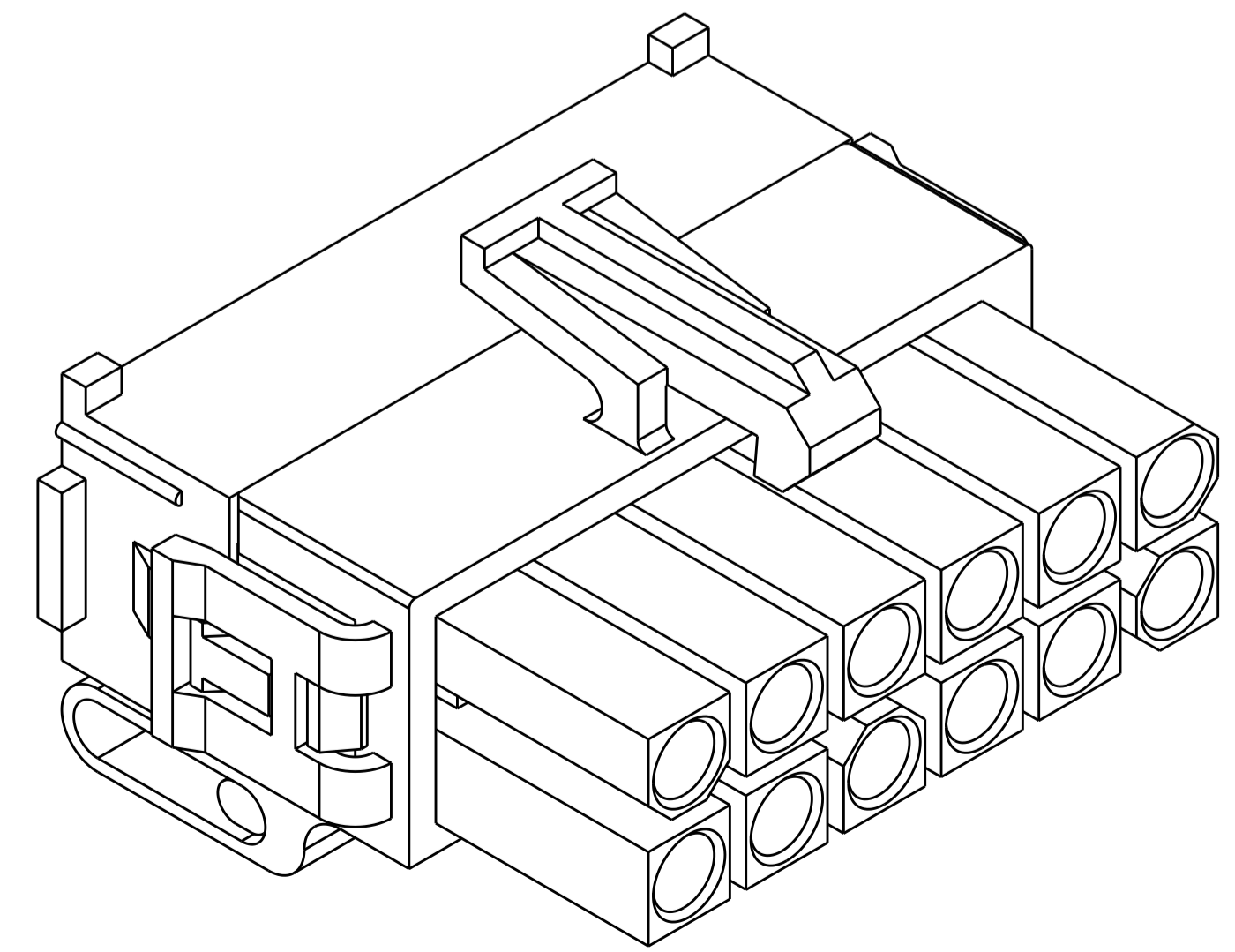
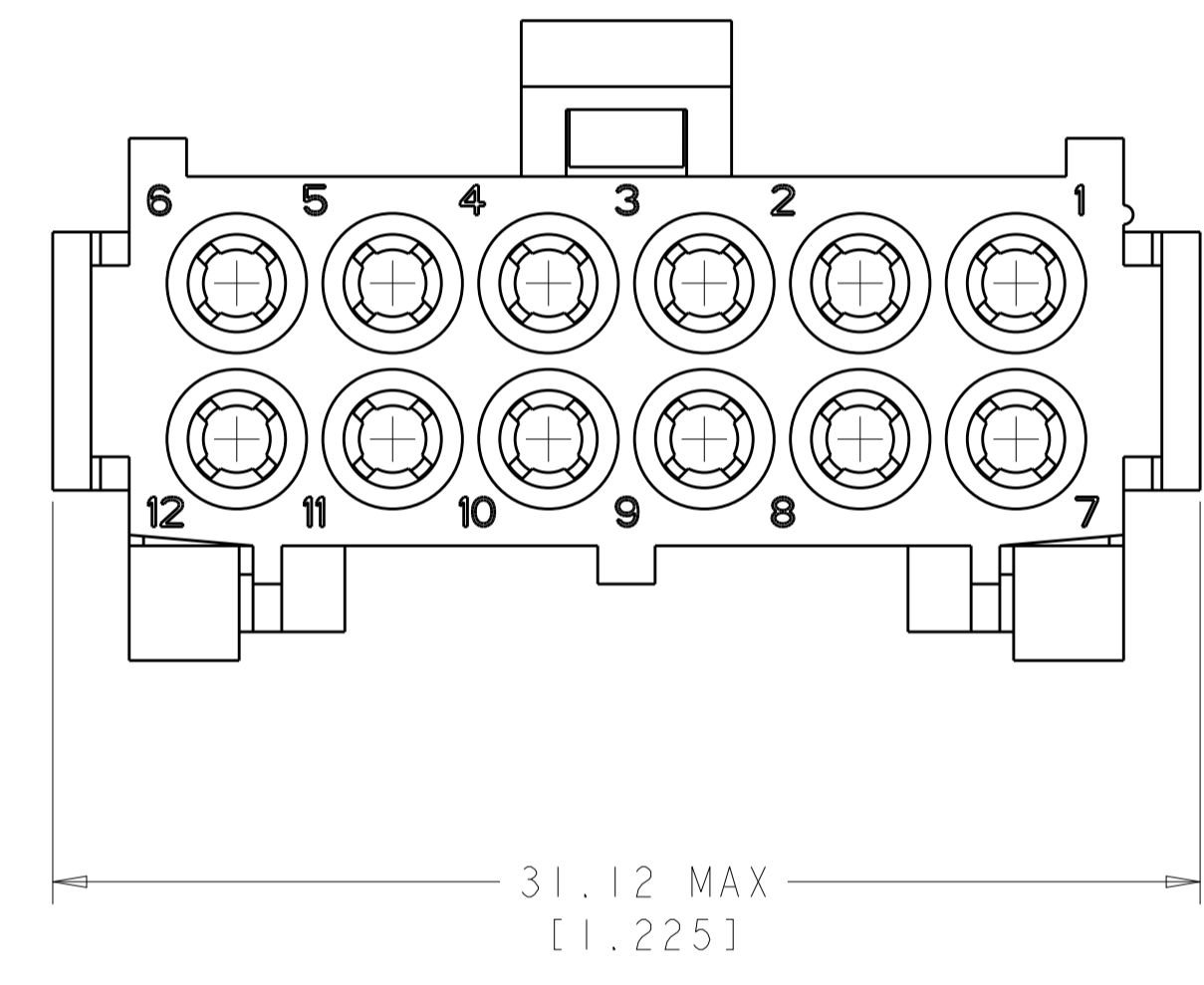
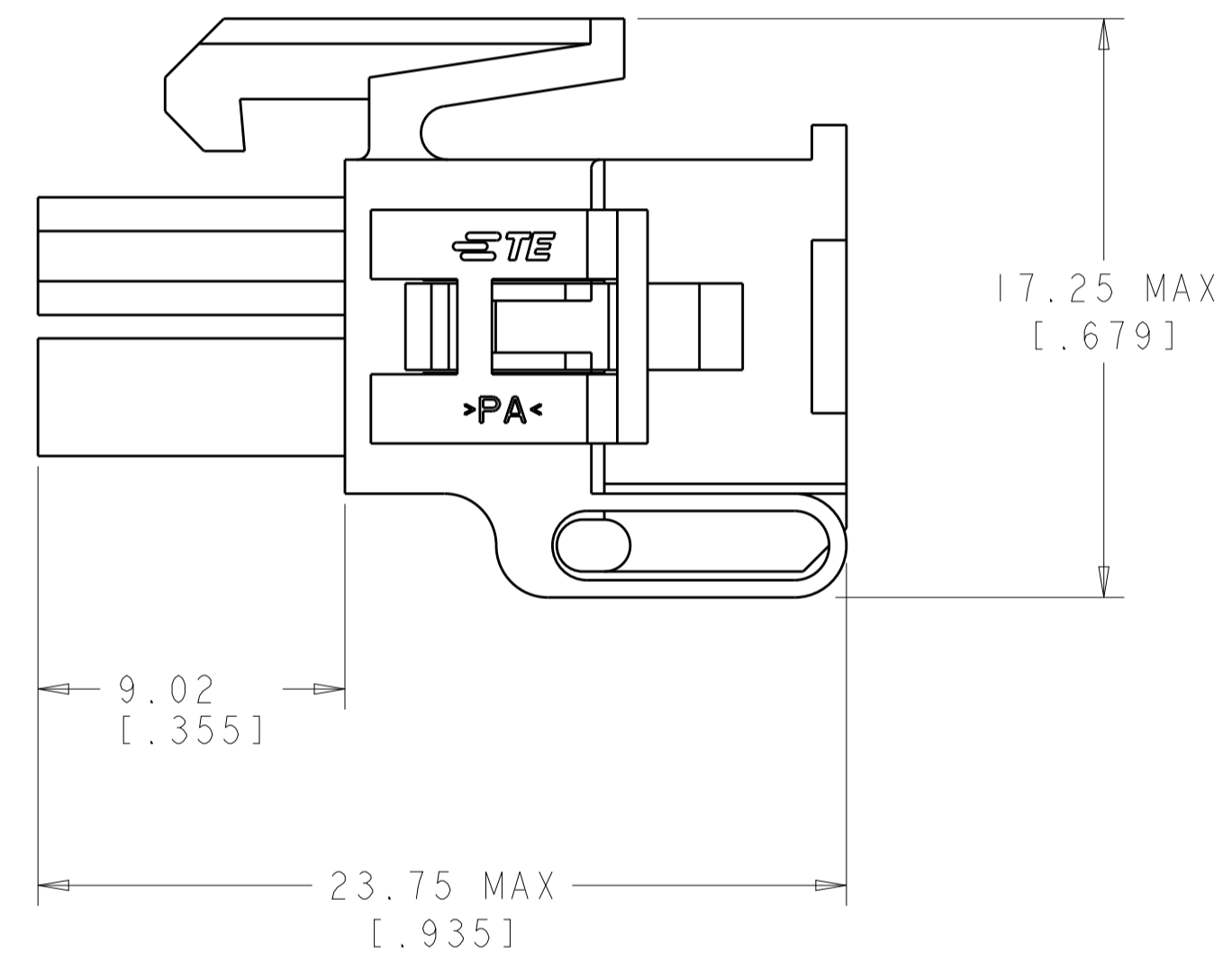
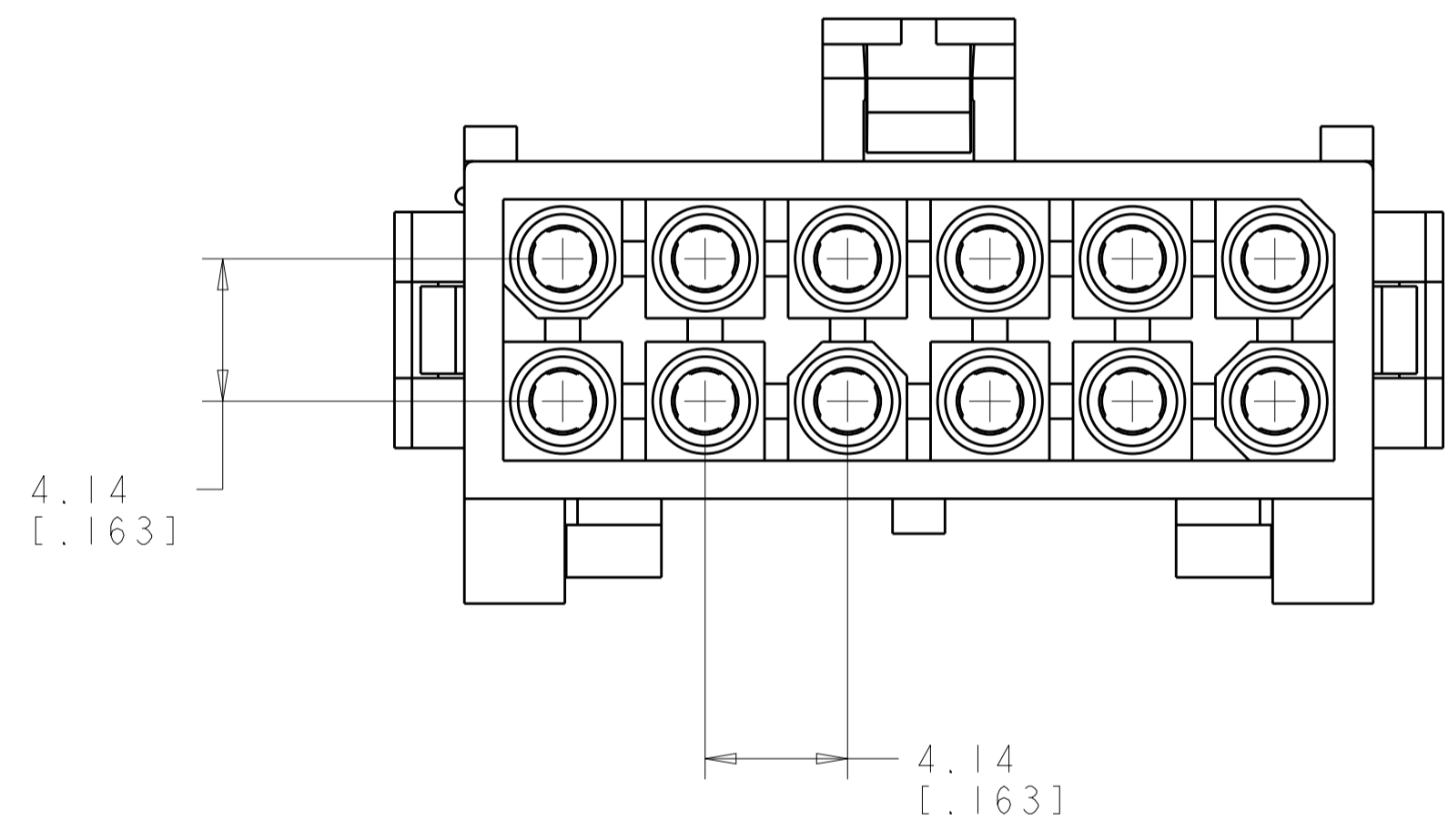


REVISIONS				
P.	LTM	DESCRIPTION	DATE	APVD
C2		REVISED PER ECR-15-003326	05-MAR-2015	SC KD



PRE-STAGED CONDITION



0.21 IN ³	794198-1
VOLUME	PART NUMBER

THIS DRAWING IS A CONTROLLED DOCUMENT.		DWN K. WHITAKER 01AUG2007	TE Connectivity
DIMENSIONS: mm [INCHES]		CHK C. JONES 01AUG2007	
TOLERANCES UNLESS OTHERWISE SPECIFIED:		APVD C. JONES 01AUG2007	NAME PLUG, DUAL ROW, 12 CIRCUIT, MINI UNIVERSAL MATE-N-LOK(TM) 2
0 PLC ±	1 PLC ±	PRODUCT SPEC	SIZE A1
2 PLC ±0.13 [0.005]	3 PLC ±	APPLICATION SPEC	CAGE CODE 100779
4 PLC ±	ANGLES ±40°/30°	FINISH	DRAWING NO 794198
MATERIAL NYLON, UL 94V-0, NATURAL	WEIGHT	CUSTOMER DRAWING	RESTRICTED TO REV C2
SCALE 5:1		SHEET 1 OF 1	